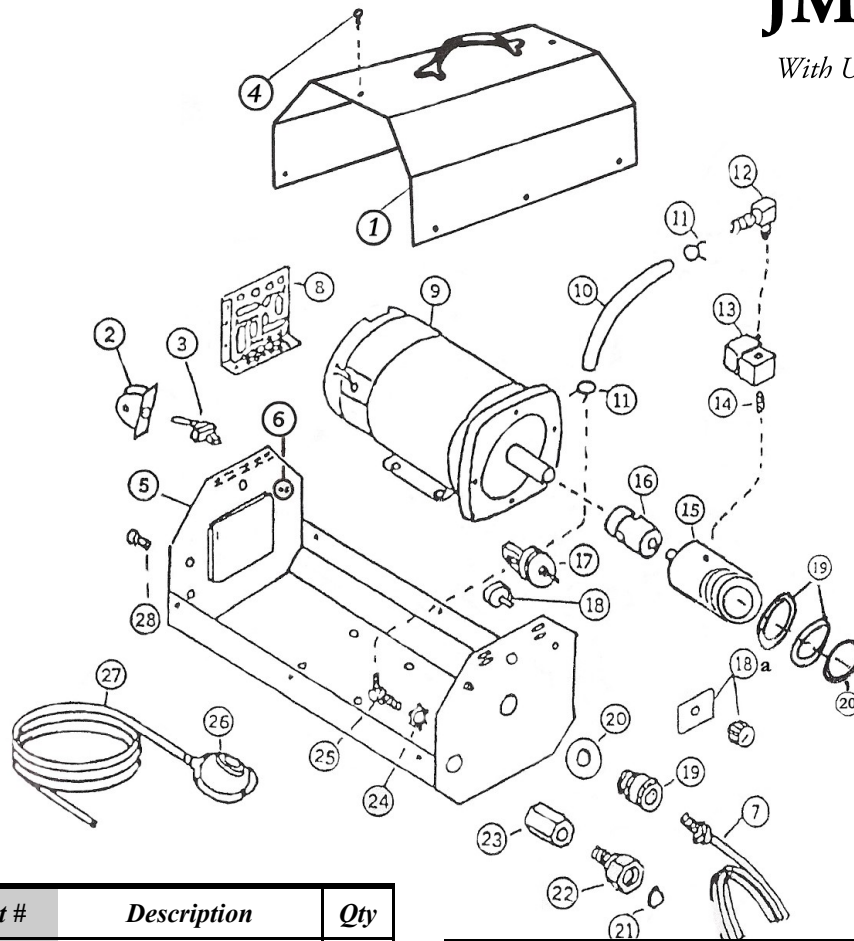


# JM1900

*With Universal Coupler*



| Item | Part # | Description         | Qty |
|------|--------|---------------------|-----|
| 1    | 11702  | Cover with handle   | 1   |
| 2    | 20217  | Switch Guard        | 1   |
| 3    | 20120  | Switch Assembly     | 1   |
| 4    | 20105  | Cover Screw         | 8   |
| 5    | 11701  | Base                | 1   |
| 6    | 22540  | Recessed Receptacle | 1   |
| 7    | *      | Shaft Assembly      | 1   |
| 8    | 15001  | D.C. Motor Starter  | 1   |
| 9    | 15010  | Motor               | 1   |
| 10   | 50042  | Hose Link           | 1   |
| 11   | 15031  | Hose Clamp          | 2   |
| 12   | 50041  | Barb Elbow          | 1   |
| 13   | 15028  | Solenoid Valve      | 1   |
| 14   | 40032  | Close Nipple        | 1   |
| 15   | 18080  | Manifold Assembly   | 1   |

| Item | Part #  | Description         | Qty |
|------|---------|---------------------|-----|
| 16   | 15011   | Flexible Coupling   | 1   |
| 17   | 18120   | Air Switch          | 1   |
| 18   | 15004   | Potentiometer       | 1   |
| 18a  | 15002   | Knob and Plate      | 1   |
| 19   | 19177   | Lock Ring           | 2   |
| 20   | 18088   | O-Ring              | 1   |
| 21   | 20140   | Filter Washer       | 1   |
| 22   | 20239   | Garden Hose Conn.   | 1   |
| 23   | 50043   | Coupling            | 1   |
| 24   | 15032   | Nut with Bushing    | 1   |
| 25   | 50177-2 | Bushing             | 1   |
| 26   | 18121   | Foot Switch w/ Hose | 1   |
| 27   | 18122   | Air Hose            | 1   |
| 28   | 15126   | Fuse Holder         | 1   |